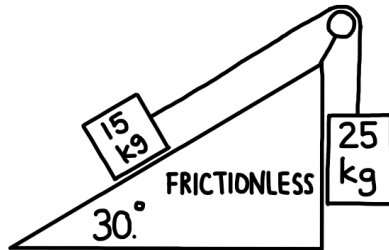
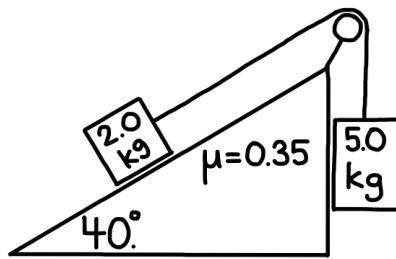


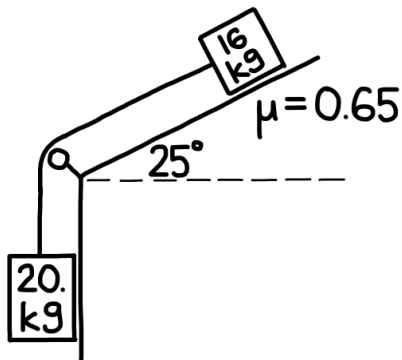
1. Determine the acceleration of the system and the tension of the rope.



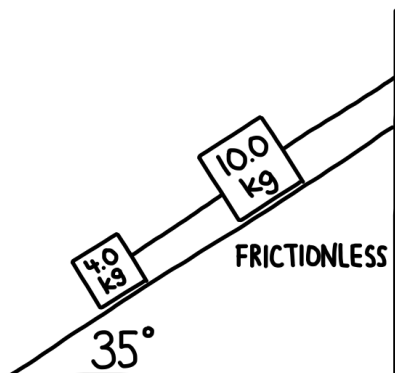
2. Determine the acceleration of the system and the tension of the rope.



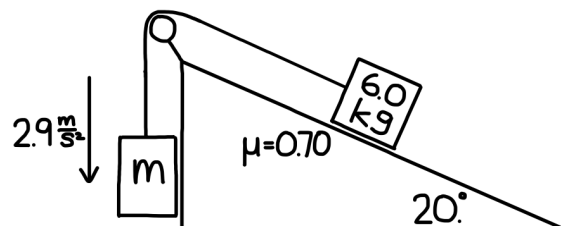
3. Determine the acceleration of the system and the tension of the rope.



4. Two masses on a  $35^\circ$  frictionless incline are connected together by a cord. The  $10.0\text{ kg}$  mass is connected to a wall. Determine the tension in each cord.



5. The system below is accelerating at  $2.9\text{ m/s}^2$  as shown. Determine the mass  $m$ .



6. Three objects of equal mass are connected as shown. Determine the acceleration of the system.

