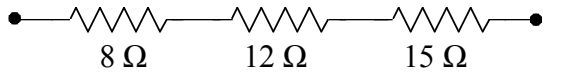
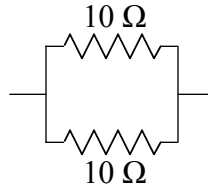


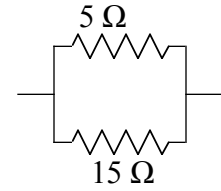
$$R_t = 20\ \Omega$$



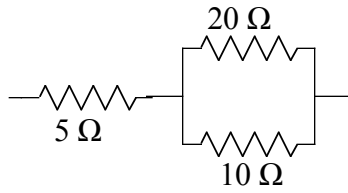
$$R_t = 35\ \Omega$$



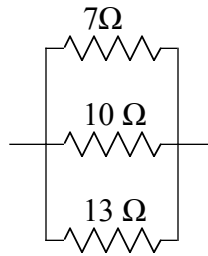
$$R_t = 5\ \Omega$$



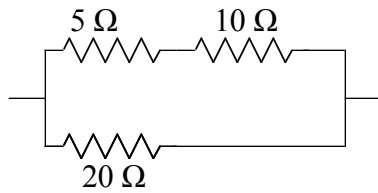
$$R_t = 3.75\ \Omega$$



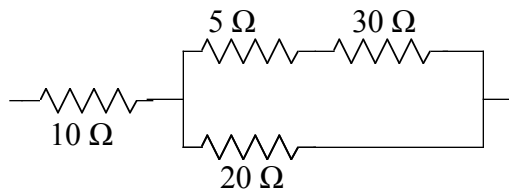
$$R_t = 11.67\ \Omega$$



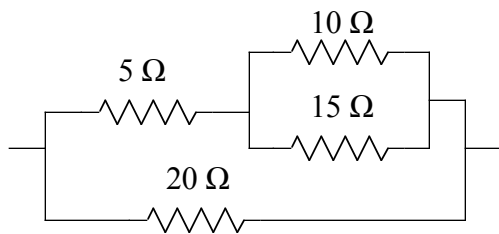
$$R_t = 3.13\ \Omega$$



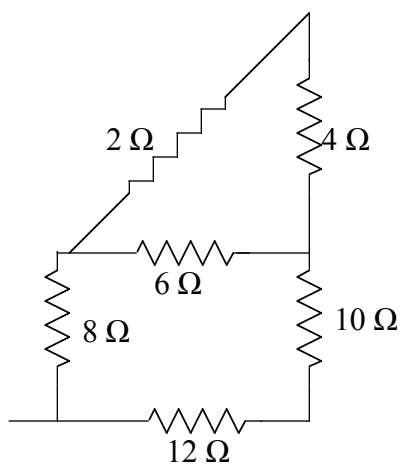
$$R_t = 8.57\ \Omega$$



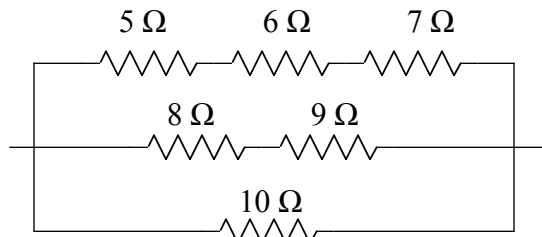
$$R_t = 22.7\ \Omega$$



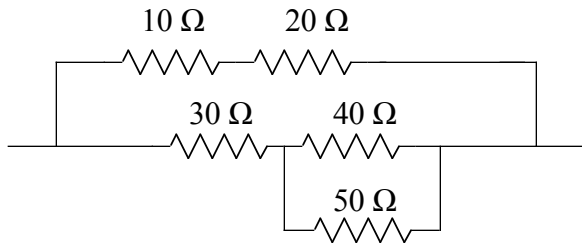
$$R_t = 7.10\ \Omega$$



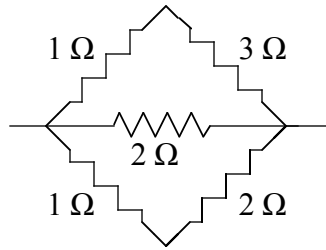
$$R_t = 7.64\ \Omega$$



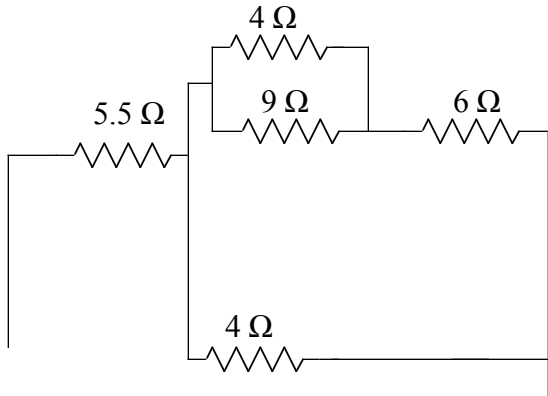
$$R_t = 4.66\ \Omega$$



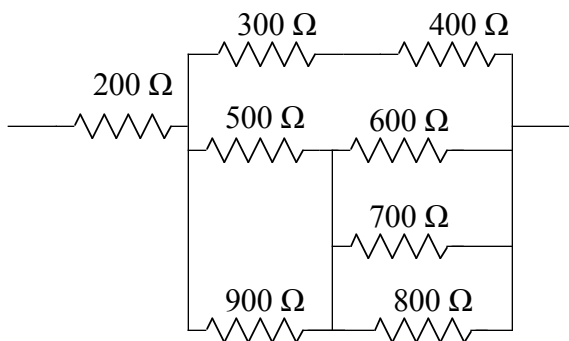
$$R_t = 19.1\Omega$$



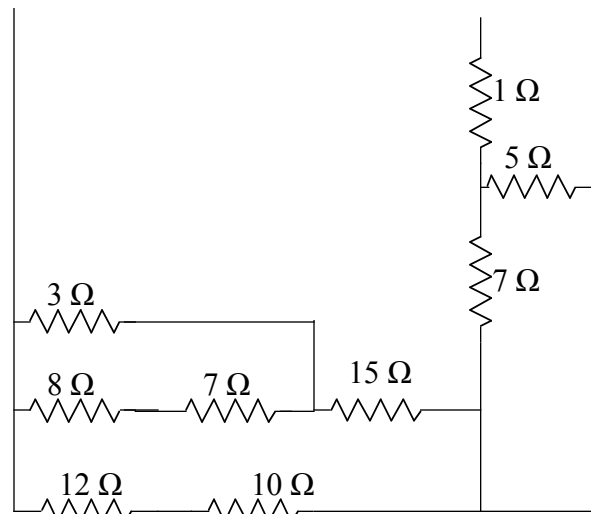
$$R_t = 0.81\Omega$$



$$R_t = 8.25$$



$$R_t = 508.5\Omega$$



$$R_t = 13.66\Omega$$